



swing^{IR}

D

Bedienungsanleitung

Seite 4

GB

Operating instruction

Page 24

F

Manuel de service

Page 44

NL

Gebruiksaanwijzing

Pagina 64

E

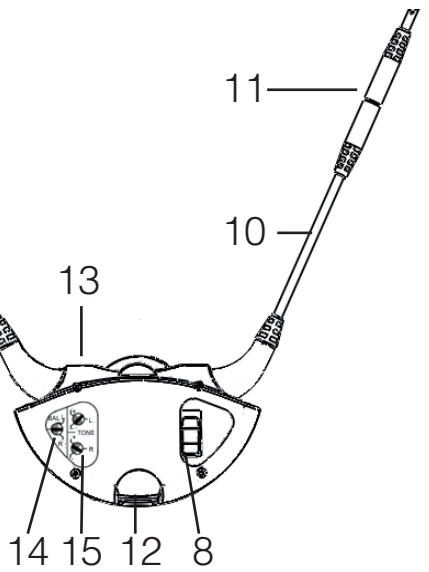
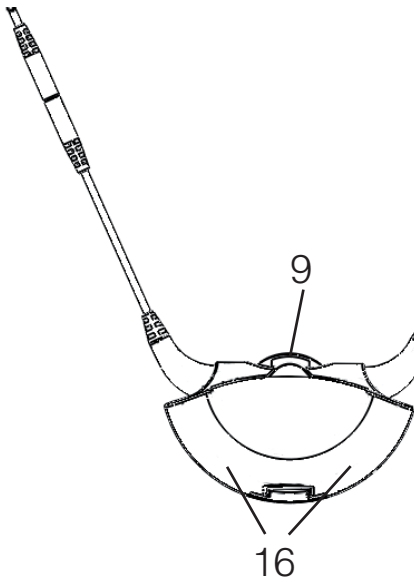
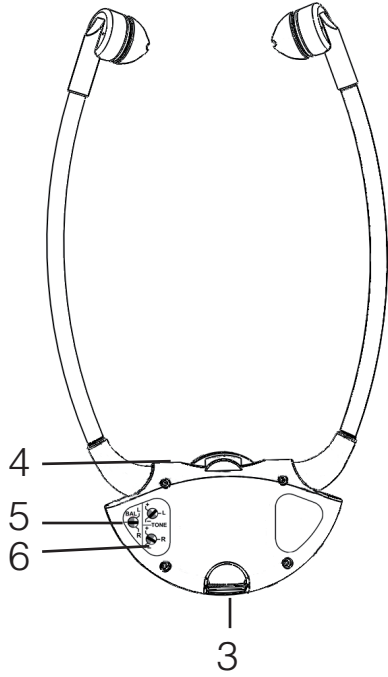
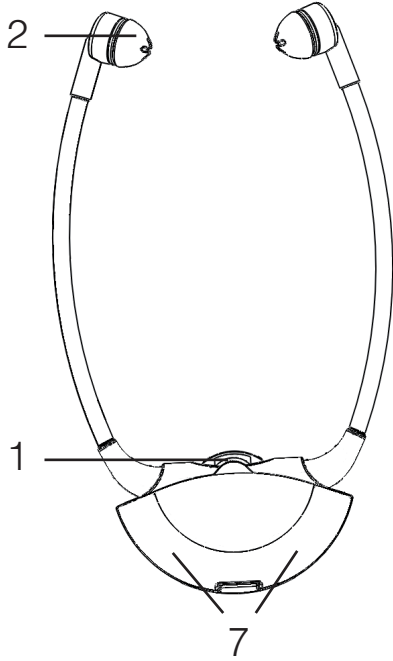
Instrucciones de servicio

Página 84

I

Istruzioni per l'uso

Pagina 104



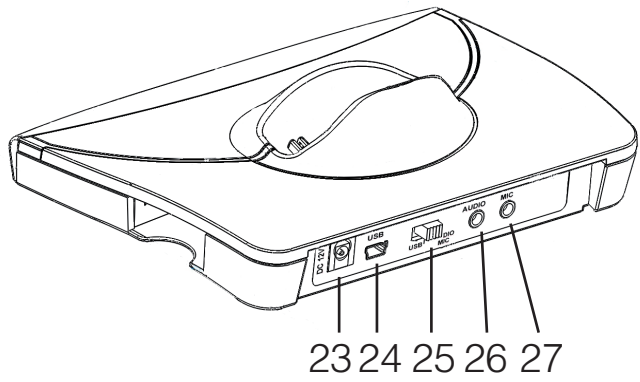
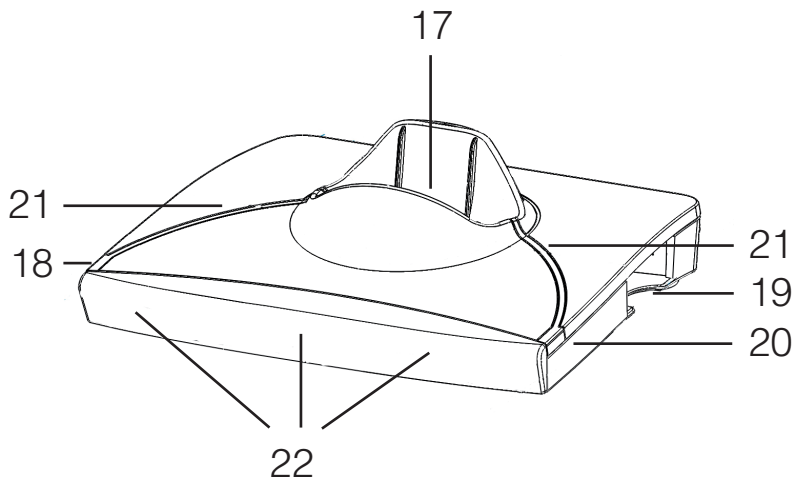


Table of content	Page
Safety information	25
Scope of delivery	26
Quick overview	27
Overview headphone:	27
Overview LR earpiece:	27
Overview sender:	27
Overview accessories:	27
Connect sender to a sound source	28
Connect sender to a Cinch female connector	29
Connect sender to a SCART female connector	29
Connect sender headphone connector	30
Connect the sender to the microphone (optional)	30
Connect sender to the USB connector	31
Connect sender to the mains supply	31
Install sender	32
Use Swing IR	33
Use SWING IR standard version	33
Use SWING IR LR	33
Safety lock in the tele-loop	34
Listening with the 3.5 mm stereo output	34
Set balance	35
Adjust audio	35
Set volume	36
Transparent cover	36
Charge battery	37
Cleaning and care	38
Clean transmitter and receiver	38
Cleaning of silicone ear adapters	38
Exchange of the silicone ear adapters	38
Important information	39
Warranty	39
Environmental information/disposal	40
Battery	40
Failure cause and resolution	41
Technical Data	43

Safety information

- Before you start operating this device, read these instructions carefully and completely.
- Please retain these operating instructions carefully to ensure that they are accessible at any time also for other users.
- The device and especially the power supply are designed exclusively for operation in dry interior spaces. A flawless function is guaranteed for a room temperature of 10 °C to 35 °C.
- Please handle the device and the accessories always carefully and install them only in low-dust and clean locations.
- Clean the sender and the receiver regularly. For hygienic reasons, the soft silicone ear adapters should be cleaned regularly. For the exchange, please use the soft silicone ear adapters offered as special accessories.
- Paints and furniture polishes can chemically attack the rubber feet of the sender and therefore they may cause surface damage to your furniture.
- To supply the sender, please use only the provided power supply.
- We recommend to unplug the power supply from the electrical outlet in case your are absent for several days.

Caution:

High volume can be set on your receiver. Please adhere to the following information to protect your ears or the ears of persons with normal hearing, especially children, from hearing impairments due to a high volume.

1. Please set a low volume level before you put the receiver on.
2. During use, adjust the volume to a level agreeable to you. Before using this product together with a heart pacemaker, please contact your physician or the manufacturer of the pacemaker to ensure that the pacemaker is not subjected to interference.
3. If you use other medical devices, please use the SWING only by adhering to the safety information/safety directives of your physician or the manufacturer.

Safety information for the lithium polymer battery

The battery used in SWING is a lithium polymer battery, which was produced in accordance with the most current provisions and safety regulations. The battery can be damaged when misused or if not used according to the specifications, in this case Humantechnik accepts no liability.

Warning!

The following risks exist in extreme cases:



- Heat development
- Fire development
- Explosion
- Smoke and gas development

- Do not heat the battery above 70°C, e.g., through sun radiation or by casting it into fire.
- Do not subject the battery to moisture.
- Do not short circuit the battery
- Do not disassemble or deform the battery.
- Store device/battery in cool and dry places at room temperature.
- Use only the provided charger for the battery.
- Recharge the battery in the device regularly in case the device is not used for a longer time (every 6 months for app. 1 hour).
- Charge the battery only at ambient temperatures of 10°C to 40°C.
- Do not recharge the battery if the device is clearly damaged.
- Please return defective devices or devices with worn out batteries to your specialty retailer.

Scope of delivery

The scope of delivery of the SWING IR / SWING IR LR includes:

- 1 SWING IR receiver
- 1 SWING IR sender
- 1 battery AP12A
- 1 screwdriver
- 1 power supply
- 1 audio connection cable with 3.5 mm stereo stereo jack
- 1 audio adapter 3.5 mm on 6.3 mm stereo stereo jack
- 1 Cinch adapter
- 1 SCART adapter
- 1 pair of additional silicone ear adapters small (not LR version)

Quick overview

These operating instructions let you fold the first 2 pages out. These pages show images of the SWING with identification by numbers.

Overview headphone:

- 1 controller for volume
- 2 loud speaker ear adapters
- 3 battery compartment
- 4 status LED
- 5 balance (Bal)
- 6 tone adjustment left right (tone)
- 7 Infrared reception diodes

Overview LR earpiece:

- 8 On/Off switch (On / Off)
- 9 controller for volume
- 10 induction loop
- 11 strangulation protection
- 12 battery compartment
- 13 status LED
- 14 balance (Bal)
- 15 tone adjustment left right (tone)
- 16 Infrared reception diodes

Overview sender:

- 17 charging bay
- 18 charge LED for receiver in charging bay
- 19 replacement battery charging bay
- 20 charge LED for replacement battery charging bay
- 21 status LED sending
- 22 Infrared transmission diodes

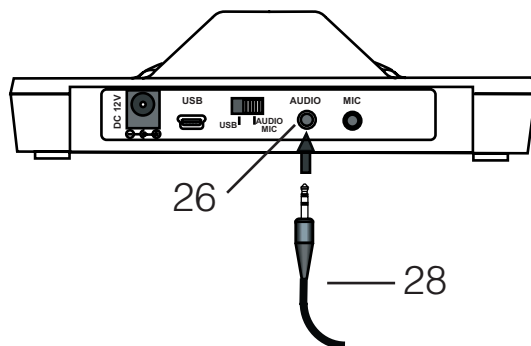
Overview accessories:

- 23 power supply connection
- 24 USB connection
- 25 AUDIO, MIC / USB selector switch
- 26 female connector for connection to a sound source (green)
- 27 female connector for connection to a microphone (black)

We congratulate you for purchasing your »SWING« headphones. You have chosen a reliable state-of-the-art and reliable device. Please review these operating instructions carefully to ensure that you commission the device correctly and that you are familiar with all functions of the device.

Connect sender to a sound source







Please switch the sound source off before connecting the sender.



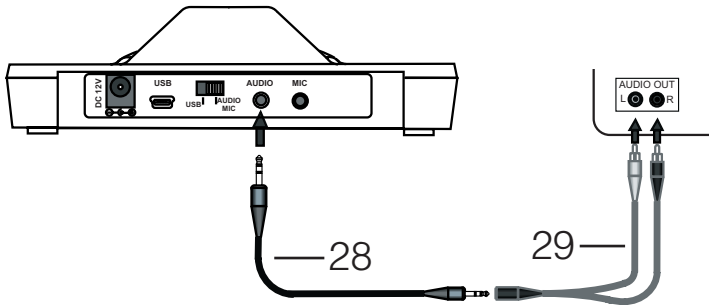
Plug the provided audio connection cable **28** into the green “Audio” female connector **26** of the sender.

Several options exist to connect the SWING IR to a sound source (e.g. TV, computer, etc.).

Please check the connection options of your sound source.

- | | |
|---|---|
|  | – Cinch female connector |
|  | – SCART female connector |
|  | – Headphone connection |
|  | – External microphone (optional) |
|  | – USB connection (e.g. computer) |
| <p>DIGITAL OUT</p>  | – S/PDIF IR output (optional with adapter box A-4963-0) |

Connect sender to a Cinch female connector



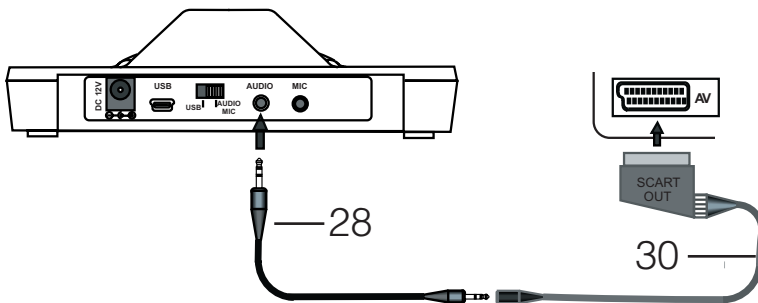
Connect the adapter cable with the Cinch plugs **29** to the audio connection cable **28**.

Plug the Cinch plug into the Cinch connection of your sound source. Please ensure that the white connection is connected to the white connection of your sound source.

Please ensure that the red connection is connected to the red connection of your sound source.

Optionally, a S/PDIF is available for the Cinch adapter box A-4963-0. It will be connected between your sound source and the Cinch plug **29**.

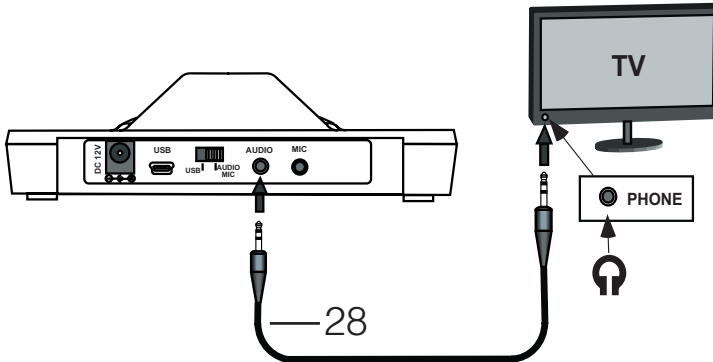
Connect sender to a SCART female connector



Connect the SCART adapter **30** into the audio connection cable **28**.

Plug the SCART adapter into the SCART female connection of your sound source.

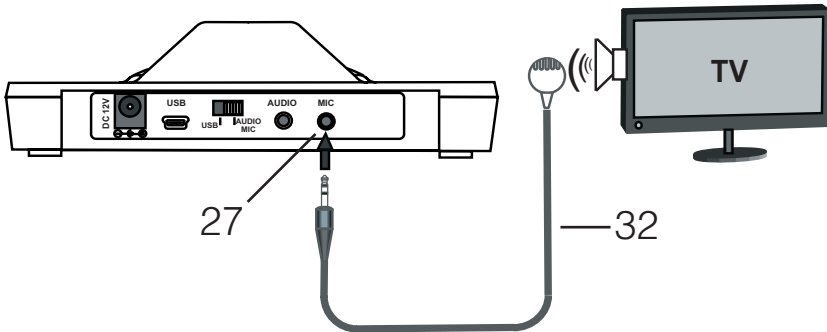
Connect sender headphone connector



Plug the audio connection cable **28** into the headphone connection of your sound source.

You may need the 6.5 mm headphone plug adapter for the connection of the headphone to your sound source. Set the volume of your sound source to an average volume.

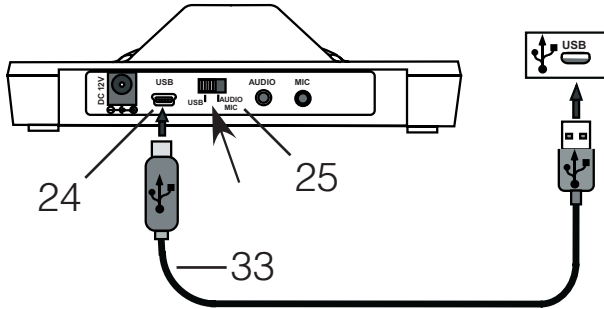
Connect the sender to the microphone (optional)



The microphone is not included in the scope of supply. It can be purchased from your specialty retailer. Only the microphone A-4967-0 must be used.

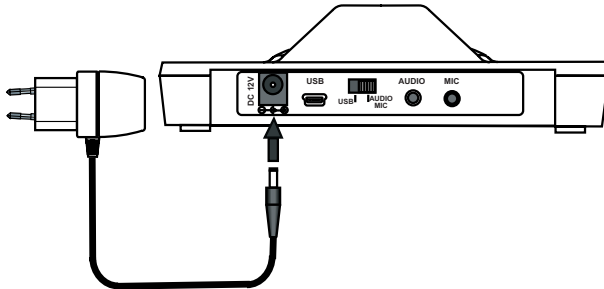
Plug the microphone **32** into the black “MIC” connection **27** of the sender. Fasten the microphone at the loudspeaker of your sound source.

Connect sender to the USB connector



The USB cable **33** is not included in the scope of supply. It can be purchased from your specialty retailer. The sender has a mini USB connection. Plug the USB cable into the “USB” connection **24** of the sender and connect it to your computer. The switch **25** must be set to “USB”.

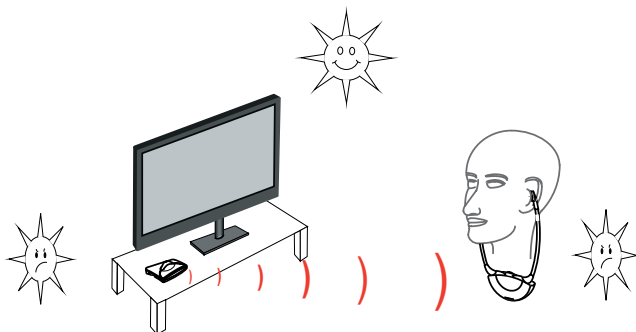
Connect sender to the mains supply



Connect the provided power supply with the sender through the power supply connection “DC12V”. The power supply itself will be connected to an electrical outlet.

Please charge the receiver with the installed battery for 6 hours before commissioning the device for the first time.

Install sender



Install the sender in a suitable position near the sound source. The view between the sender and the receiver must not be impeded. The infrared reception diodes at the receiver must always be directed at the infrared transmission diodes of the sender.

Please ensure that direct sun radiation is not aimed at the sender or the receiver. This can cause noise in the headphone.

If you use a plasma TV set, please understand that it can interfere with the transmission.

Please install the sender as far as possible away from your plasma TV set.

You can operate any number of receivers with one sender.

Use Swing IR

Use SWING IR standard version

Please follow the instruction to use your SWING IR:

1. Switch your sound source on (e.g. TV).
2. Adjust the volume level controller **1** initially to a low volume to protect your ears. The volume increases when you turn the dial into the direction of “5” and it decreases when you turn the dial into the direction of “0”.
3. Please put the headphone on. By spreading the speaker arms, the headphone switches automatically on. The green LED **4** always indicates that the receiver is switched on.
4. The blue LED bar **21** is illuminated as soon as the sender has contact and transmits to the receiver.
5. Set the desired volume **1**.
6. If you remove the headphone then it will be switched off automatically. We recommend to put the headphone always back into the sender to ensure that the battery is always charged.

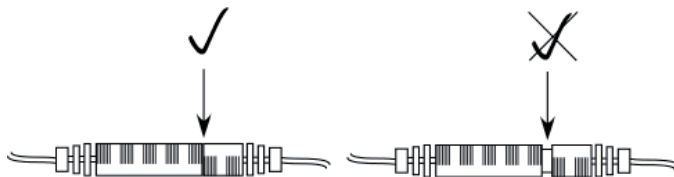
Use SWING IR LR

Please follow the instruction to use your SWING IR:

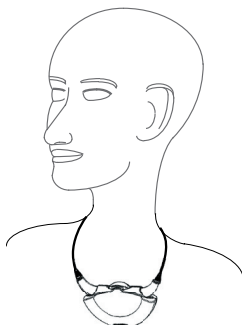
1. Switch your sound source on (e.g. TV).
2. Adjust the volume level controller **9** initially to a low volume to protect your ears. The volume increases when you turn the dial into the direction of “5” and it decreases when you turn the dial into the direction of “0”.
3. Ensure that the ring loop lock has been closed completely. The ring loop lock is used to comfortably wear the device and to minimize accidents.
4. The receiver will be switched on and off by using the ON/OFF switch on the back. Caution: Always switch the receiver off after use because the battery discharges itself otherwise. The green LED **13** always indicates that the receiver is switched on.
5. The blue LED bar **21** is illuminated as soon as the sender has contact and transmits to the receiver.
6. Set the desired volume.
7. Switch the receiver off after use. We recommend to put the receiver always back into the sender to ensure that the battery is always charged.

Safety lock in the tele-loop

(only for LR version)



Please ensure that the safety lock is completely closed in the tele-loop to guarantee a flawless functioning.



Please ensure the receiver is worn correctly.

Listening with the 3.5 mm stereo output

(only for LR version)

The following accessories can be connected to the 3.5 mm stereo jack plug:

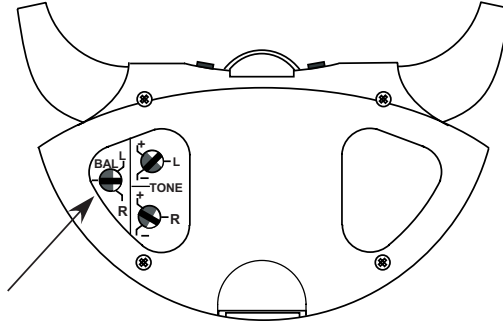
- Earphones discreet design
- Chin band headphone, closed system
- Light weight headphones, traditional design
- Induction plate Monaural
- Induction plate Binaural
- Euro-cable Monaural, damped
- Euro-cable Binaural, damped

Important!

The overall transmission time of the receiver can be reduced significantly depending on the accessories connected to the stereo output. We recommend to buy an additional battery to guarantee a large operating time.

Set balance

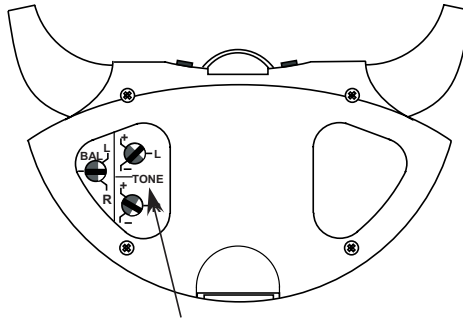
(SWING IR and 3.5 mm stereo output SWING IR LR)



The balance controls the volume distribution between the right and the left ear. Adjust the balance in such a way that you hear well on both ears.

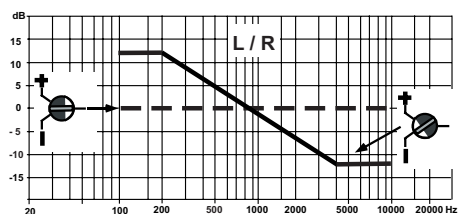
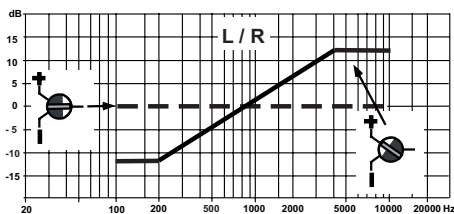
Adjust audio

(SWING IR and SWING LR)



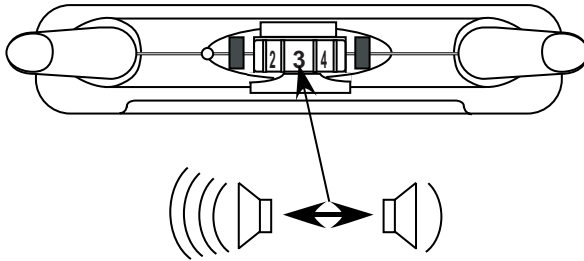
The audio control is used to adapt the audio to your ear independently on the left and right.

Caution: The sound controller for right (R) can be used in the SWING digital LR to adjust the sound in the ring loop.



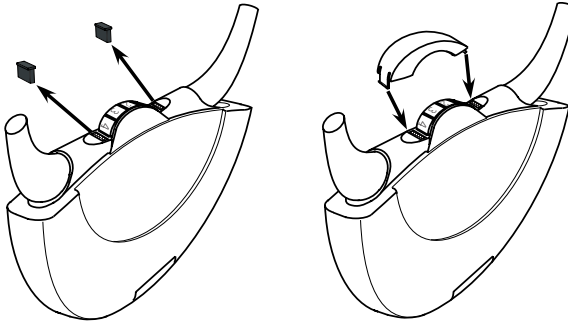
Set volume

Set the volume to a level agreeable to you by adjusting the volume control.



Transparent cover

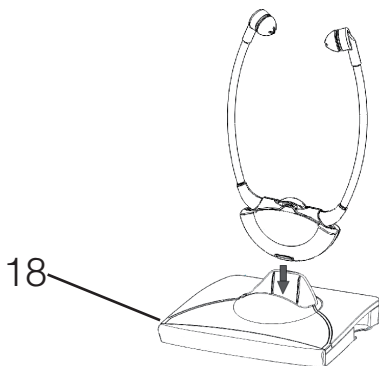
The transparent cover protects the volume control against unintended adjustment of the volume control and against contamination by dust or fluids.



Remove both rubber covers and click the transparent cover into the openings.

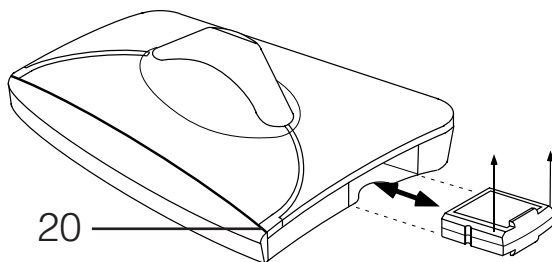
Charge battery

Once the battery is fully charged, it can be used for up to 6 hours. The red LED **4/13** starts flashing once the battery is almost empty. The battery should now be charged or exchanged. The operating time is dependent from the set volume and from what you hear.



After use, put the receiver onto the charging bowl of the receiver without applying pressure.

Ensure that the receiver is placed correctly. If the receiver is charged, the red LED **18** at the left side of the receiver is illuminated. The LED **18** is illuminated green as soon as the battery in the receiver is charged.



An additional battery can be charged in the sender. Additional batteries are available at your specialty retailer.

The additional battery can be plugged in into the side charging bay **19**. Please ensure that the milled side points upward and that insert it without applying too much force. If the LED **20** is illuminated red, then this battery is charging, if the LED **20** is green then it is ready for use.

We recommend to exchange the battery in the receiver and the spare battery in the sender weekly. This means that the batteries are used regularly and that they achieve a maximum service life.

All batteries lose their capacity over time. This is characterized by a shorter usage time.

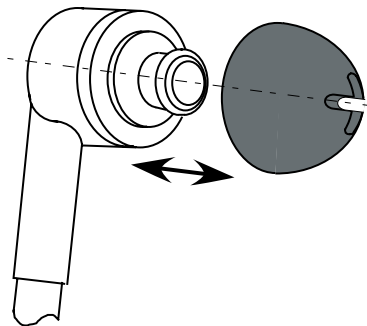
Cleaning and care

Clean transmitter and receiver

If the devices are dusty or dirty, please clean them now and then with a soft, clean and slightly moist cloth.

Please disconnect the sender from the mains supply before you start with the cleaning activity.

Cleaning of silicone ear adapters



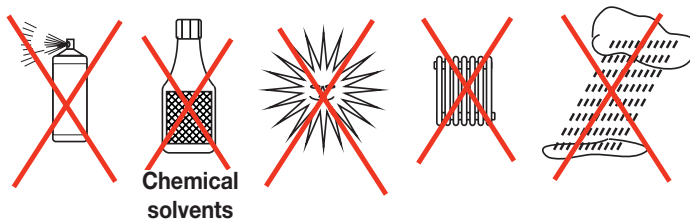
You can pull the ear adapters from the fixture. Please clean the ear adapters with mild soap water. Dry the ear adapters well and attach them afterwards.

Exchange of the silicone ear adapters

The skin-neutral silicone ear adapters must be exchanged if they are strongly contaminated.

You can pull the ear adapters from the fixture. The new silicone ear adapters can be plugged over the fixture.

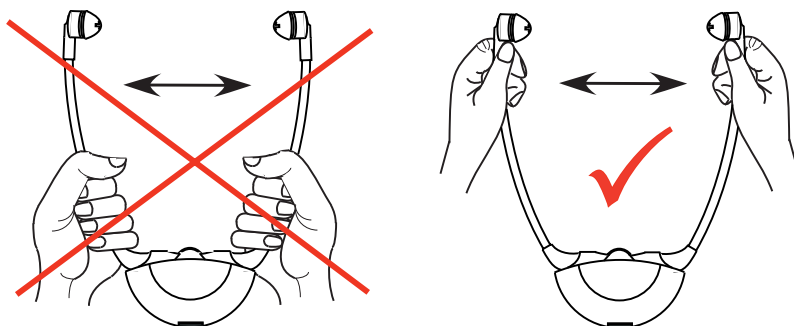
Important information



Product damages caused by improper handling as well as interference due to strong contamination are excluded from the warranty.

The device is not protected against splash water. Do not put objects that are filled with fluids on the device, e.g. vases.

Open fire sources such as burning candles, must also not be put on the device.



Warranty

The Swing has a high operating safety. Please contact your specialty retailer or contact the manufacturer directly in case that failures occur despite proper assembly and operation. The warranty service includes the free repair as well as the free return shipment. If possible, please send the device in the original packing, therefore do not throw it away. The warranty expires for damages that are caused by improper handling or repair attempts by unauthorized persons (destruction of the quality seal). Warranty repairs will only be performed when sending the completed warranty card and a copy of the invoice/sales slip by the specialty retailer. The device number must always be listed.

Environmental information/disposal



Disposal of used electrical and electronic devices (to be applied in countries of the European Union and other European countries with a separate collection system for these devices). The symbol on the product or on its packing indicates that this product must not be treated as normal household waste, but that it must be returned to a recycling point of acceptance for electrical and electronic devices or that it must be disposed in a Yellow Bin. You are protecting the environment and the health of your fellow men by contributing to the correct disposal. The environment and the health are endangered by wrong disposal.

Material recycling helps to reduce the consumption of raw materials.

Additional information about recycling of this product can be obtained from your community, the municipal disposal companies or the shop where you bought the product.

Battery



The provided battery can be recycled. Please dispose the battery through the battery container or the specialist shop. Please dispose only discharged batteries to guarantee environmental protection.



This devices adheres to the requirements of the following EU directives:

- 2002/95/EG RoHS directive
- 2002/96/EG WEEE directive
- 2004/108/EG EMV directive
- 2006/95/EG low voltage directive

The conformity of the a.m. directives is confirmed by the CE mark on the device. CE conformity declarations are available on the Internet under www.humanteknik.com.

Subject to technical changes

Failure cause and resolution

Symptoms	Cause	Resolution
Charge control lamps do not illuminate – despite inserted battery into the charge station of the sender.	Sender has no electricity from power supply.	Check whether the power supply is connected to the electrical outlet of the house and at the plug and whether the electrical outlet is working and that no fuse was triggered.
The charging control lamp is not illuminated, despite the fact that the batteries are inserted.	No contact between battery and charging station in sender.	Insert the batteries correctly and completely into sender.
Receiver charging control lamp is not illuminated, despite the fact that the receiver is inserted in the charging station.	No contact between battery in the receiver and the charging station in sender.	Insert the batteries true to side and completely into sender and the charging station..
	No battery inserted into the receiver.	Insert battery in receiver.
Receiver does not work – no sound transmission.	The sender is not connected or not connected correctly to the TV set or the HiFi system.	Check the cable and the plug connection between the sender and the TV or HiFi device. Use the operating instructions of the TV or HiFi device to check whether the headphone output is correctly connected.
	TV set or HiFi system is not switched on.	

Symptoms	Cause	Resolution
Receiver does not work – no sound transmission.	Receiver is not switched on. (SWING IR LR)	Switch the receiver on by using the ON/OFF switch on the back. (SWING IR LR)
	No battery in receiver.	Insert battery in receiver.
	Battery in receiver is discharged or not charged.	Charge battery or insert fully charged battery.
The sound transmission is bad, noisy or it is distorted.	No visual connection from the receiver to the sender or too far away from the sender.	Remove obstacles from the front of the sender or align the front of the sender to the receiver. Align the receiver closer to the sender.
The sound transmission is contorted and blurred or distorted.	The battery energy is almost totally consumed.	Charge battery or insert fully charged battery.
	The device is operated together with a plasma TV set. Plasma TV sets interfere with the infrared transmission.	Use our SWING digital.
The energy of the battery will only work for a short time.	Battery is not completely charged or defect and therefore no longer operational.	Charge battery or insert fully charged or new battery.

Technical Data

Modulation process	Stereo
Carrier frequency:	2.3MHz / 2.8 MHz
Tone frequency transmission range:	50 – 16,000 Hz
Distortion factor:	< 1 %
Signal/interference ratio:	> 100 dB
Working range:	10° C – 40° C

Chin band receiver:

Operating hours:	app. 7 h
Maximum volume:	app. 125 dB
Weight:	app. 58 g

Sender:

Power consumption:	app. 4.5 VA
Power supply:	12 VDC.
Power supply:	100–240 Volt 50–60 Hz
Weight:	app. 43 g

Humantechnik Service-Partner

D

Germany

Humantechnik GmbH
Im Wörth 25
D-79576 Weil am Rhein

Tel.: +49 (0) 76 21/ 9 56 89-0
Fax: +49 (0) 76 21/ 9 56 89-70
E-mail: info@humantechnik.com

CH

Switzerland

Humantechnik GHL AG
Rastatterstrasse 9
CH-4057 Basel

Tel.: +41 (0) 61/ 6 93 22 60
Fax: +41 (0) 61/ 6 93 22 61
E-mail: info@humantechnik.com

F/B

France
Belgium

SMS
Audio Electronique Sàrl
173 rue du Général de Gaulle
F-68440 Habsheim

Tel.: +33 (0) 3 89/ 44 14 00
Fax: +33 (0) 3 89/ 44 62 13
E-mail: sms@audiofr.com

NL

Netherlands

Hoorexpert BV
Gildenstraat 30
NL-4143 HS Leerdam

Tel.: +31 (0) 3 45/ 63 23 93
Fax: +31 (0) 3 45/ 63 29 19
E-mail: info@hoorexpert.nl

GB

Great Britain

Sarabec Ltd
15 High Force Road
GB-Middlesbrough TS2 1RH

Tel.: +44 (0) 16 42/ 24 77 89
Fax: +44 (0) 16 42/ 23 08 27
E-mail: enquiries@sarabec.co.uk

**For other service-partners
in Europe please contact:**

Humantechnik Germany

Tel.: +49 (0) 76 21- 9 56 89-0
Fax.: +49 (0) 76 21- 9 56 89-70
Internet: www.humantechnik.com
e-mail: info@humantechnik.com



HUMANTECHNIK