

SAFETY PRECAUTIONS

The manufacturer cannot be held responsible for damage which is caused by not using the Loop System in compliance with the safety precautions.

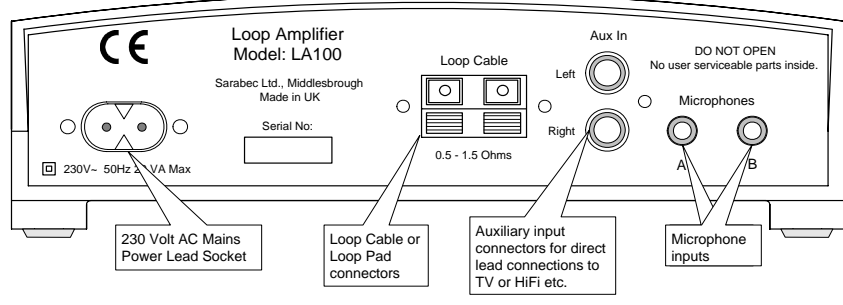
- Do not open casing of Loop Amplifier at any time, **NO** user serviceable parts can be found inside.
- Ensure mains power is disconnected **BEFORE** any connections are made to the Loop Amplifier.
- Do not expose the Loop Amplifier, cable and accessories to rain or any other source of moisture.
- Ensure that there is enough room around the Loop Amplifier for ventilation purposes.
- Do not place the Loop Amplifier close to sources of heat, such as radiators.

United Kingdom connection to mains supply

- This apparatus must be protected by a 3amp fuse if a 13amp(BS1363) plug is used. Be sure to replace the fuse only with an identical approved type, as originally fitted, and to replace the fuse cover.
- **IMPORTANT:** The wires in this mains lead are coloured in accordance with the following code
Blue: Neutral Brown: Live.
- If you need to change the mains plug supplied the colours of the wires in the mains lead of this apparatus may not correspond with the coloured markings identifying the terminals in your plug, so proceed as follows: The wire which is coloured **BLUE** must be connected to the terminal marked with the letter **N** or coloured **BLACK**. The wire coloured **BROWN** must be connected to the terminal which is marked with the letter **L** or coloured **RED**. **DO NOT** make any connection to the terminal which is marked with the letter **E** or coloured **GREEN**.

IF IN DOUBT - SEEK EXPERT ADVICE

SECTION 'A' - Installation/Connections



- Place the amplifier in a convenient position near to your TV or Audio equipment.

Loop Cable

- Run the loop cable around the room, leaving one end of the cable with the amplifier, return the other end of the cable to the amplifier (complete the circuit). The cable may be tucked under the edge of the carpet, or fixed to either a picture / dado rail, or skirting board (clips provided). Where the cable passes a door, either fix the cable around the frame or tuck under the carpet.
- Connect both ends of the loop cable to the loop cable terminals on the rear of the amplifier, one wire in each terminal. When the coloured terminal button is pushed a hole will appear, push the bare wire into the hole. Make sure that only the wire and not the plastic insulation goes in, then release the button.
- If excess loop cable is coiled it may affect the frequency response of the system. Excess cable may be cut off as long as a **MINIMUM** of 11 metres (35 feet) is left connected to the amplifier.

or Loop Pad

- Place the loop pad in a suitable position on the chair to be used for listening. Lay the connecting lead from the Pad to the back of the Amplifier. Make sure that the connecting lead is kept out of the way to prevent injury or obstruction.
- Connect one wire of the connecting lead to the left hand terminal and one to the right hand terminal. When the coloured terminal button is pushed a hole will appear, push the bare wire into the hole. Make sure that only the wire and not the plastic insulation goes in, then release the button.

Microphone

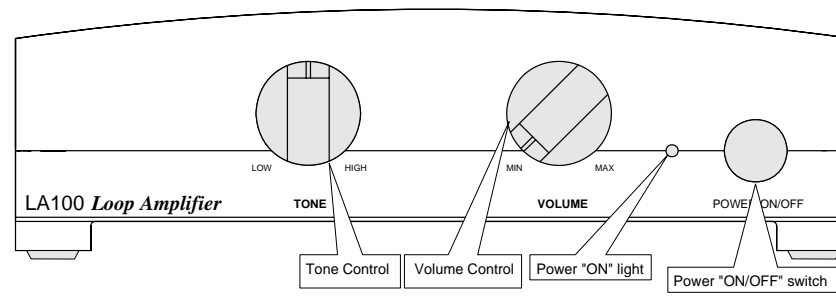
- Plug the microphone lead into one of the microphone sockets on the rear of the amplifier. Place the microphone on the TV speaker grille, or other sound source speaker, using one of the Velcro™ pads supplied. Peel off the backing paper and press the pad firmly into place. The Velcro™ already on the microphone will then fasten to it if lightly pressed in place. To remove the microphone pull gently and it will come free allowing its use on other equipment.

or Audio direct connection lead

- As an alternative to a microphone input, a SCART / Phono lead may be used as a direct connection to your TV/Video giving a clearer sound input to your system. The lead should be plugged in to the "Aux In Left/Right" Phono sockets on the rear of the amplifier. Suitable leads are available from your dealer.
- The auxiliary input "**Aux In**" socket is provided to enable television, radio, audio and video equipment to be connected directly to the loop amplifier via headphone or auxiliary output sockets. This can be particularly useful in very noisy rooms or when no sound at all is wanted from the TV or other sound source. Suitable output sockets may be marked 'Audio Out', 'Tape Out' or 'Headphones'. The SCART or EUROconnector on a TV/Video may be used but an adaptor may be required if it is already being used for connection to other equipment. On some TVs using the headphone socket turns off the internal speaker, on others there is a switch that allows the speaker to be left on.

- Ensure that the **VOLUME** control is set to **MIN** and the **TONE** control is set pointing upwards, half way between **LOW** and **HIGH**.
- Plug in the mains lead into the socket on the rear of the amplifier, then plug into the mains outlet.

SECTION 'B' - Operating




- Switch on the amplifier by pressing the "**POWER ON/OFF**" button. The green power light will come on. Set the television to the normal listening level for other members of your household, switch your hearing aid to the "T" or "MT" position. Adjust the loop amplifier **VOLUME** control for the best results in your normal viewing position.
- Adjust the **TONE** control to suit your preference. In the "HIGH" position (fully clockwise), the higher frequencies will be emphasised. In the "LOW" position (fully anticlockwise) the lower frequencies will be emphasised.
- A second microphone may be plugged into the unused microphone socket. This can be used to monitor a doorbell or telephone. Another person may use a second microphone to talk to the person using the loop.

SECTION 'C' - Problems and Cures

Symptom	Possible cause and remedy
No sound.	<ul style="list-style-type: none"> Re-check all connections. Check diagrams. Amplifier not switched on. Switch on at mains socket. Press mains switch. Check green LED light is on. Microphone not plugged in or other audio source not connected. Hearing aid not on "T/MT" or "T" facility not working.
Low sound.	<ul style="list-style-type: none"> Microphone too far from sound. Loop cable wired incorrectly. Check diagrams. Volume control set too low. Turn up volume on amplifier. Radio or TV volume set too low. Turn up volume on Radio or TV.
Distorted sound	<ul style="list-style-type: none"> Volume control set too high. Turn down volume on amplifier. Radio or TV volume set too high. Turn down volume on Radio or TV. Move microphone away from loud speaker. Microphone plug/lead damaged.
Background noise (hum or buzz)	<ul style="list-style-type: none"> If noise remains when loop amplifier is turned off but hearing aid is still on "T", this is interference caused by other equipment such as TV, fluorescent lights or dimmer switches. With the loop amplifier turned off and the hearing aid still on "T" turn items off in turn until the noise goes away. If noise goes when the loop amplifier is turned off it may be a fault in the system, a damaged microphone lead or noise being picked up by the microphone.

If in doubt please contact your dealer for assistance.

SECTION 'D' - Specification

Power Supply	<ul style="list-style-type: none"> 230 V AC 20VA Max via Fig 8 mains lead.
Controls	<ul style="list-style-type: none"> Rotary VOLUME control to vary the output level. Rotary TONE control to vary the tone of the output to suit user requirements. POWER ON/OFF push button switch.
Input connections	<ul style="list-style-type: none"> 2 microphone inputs A/B. 3.5mm mono jack plug. DC powered for electret microphones. Aux In Left/Right line input. Phono sockets. For direct connection to a TV sound output or other audio source via SCART or other suitable socket.
Output connections	<ul style="list-style-type: none"> Push grip connectors for loop cable or loop pad (Labelled: Loop Cable). Loop will give full output with loop resistance between 0.5 and 1.5 Ohms.
Loop output	<ul style="list-style-type: none"> 2.85A output current @ 100-5kHz. Sufficient to meet BS6083 pt4 (IEC118-4) in a loop not exceeding 6.25m(20ft) in width for most domestic situations.
Loop cable	<ul style="list-style-type: none"> Single turn loop cable. Standard system supplied with 37m(120ft) 24/0.2 (0.75mm²) single core PVC insulated cable and cable clips. Minimum cable length 11m = 0.5 Ohms.
Indicators	<ul style="list-style-type: none"> Green Light Emitting Diode (LED) for Power On indication.
	Product conforms to the provisions of the following European Union Directives : <ul style="list-style-type: none"> 73/23 Low Voltage Directive 89/336 & 92/31 Electro Magnetic Compatibility Directives 93/68 CE Marking Directive

Home Loop System/Loop Pad System

Model LA100

Owner's Manual

Introduction

The Sarabec LA100 Home Loop System provides a practical solution for hearing aid users to listen more easily to their TV or Audio equipment via the "T" or "MT" facility of their aid.

With no direct connection between the user and the TV the user is able to move freely within the looped area and listen comfortably to the TV or other equipment.

The Home Loop System is used in conjunction with a hearing aid with a switch position marked "T" or "MT", this is found on most 'behind the ear' hearing aids. The system picks up the sound from the TV via a microphone and feeds it to the amplifier. The amplifier passes the sound to a loop of wire around the listening area, which in turn transmits the sound inductively, "magnetic sound waves", to the hearing aid. The user may then adjust the loop volume to suit their own hearing preference without affecting other people.

The Home Loop System is supplied with Loop Cable to be placed around a room that you want to listen in. The Loop Pad System is an alternative to the standard Home Loop System creating either a portable loop system or a localised system where adjacent loop systems could interfere with each other.

The Home Loop System is supplied ready for use with the following items.

1. LA100 Loop Amplifier.
 2. Mains lead with fitted plug.
 3. Microphone with Velcro™ pads
 4. 37m(120ft) Loop Cable and pack of 50 cable clips
- or
5. Loop Pad with 5m(15ft) connecting cable
 6. Guarantee Card
 7. Owners manual